

Rackview High Resolution – KVM Rack Drawer

ROSE.COM

INSTALLATION AND OPERATIONS MANUAL



Widescreen 17" LCD
Ultra High Resolution
1920 x 1200

LIMITED WARRANTY

Rose Electronics warrants the Rackview Product to be in good working order for one year from the date of purchase from Rose Electronics. Should this product fail to be in good working order at any time during this one-year warranty period, Rose Electronics will, at its option, repair or replace the Unit as set forth below. Repair parts and replacement units will be either reconditioned or new. All replaced parts become the property of Rose Electronics. This limited warranty does not include service to repair damage to the Unit resulting from accident, disaster, abuse, or unauthorized modification of the Unit, including static discharge and power surges.

Limited Warranty service may be obtained by delivering this unit during the one-year warranty period to Rose Electronics or an authorized repair center providing a proof of purchase date.

If this Unit is delivered by mail, you agree to insure the Unit or assume the risk of loss or damage in transit, to prepay shipping charges to the warranty service location, and to use the original shipping container or its equivalent. You must call for a return authorization number first. Under no circumstances will a unit be accepted without a return authorization number. Contact an authorized repair center or Rose Electronics for further information.

ALL EXPRESS AND IMPLIED WARRANTIES FOR THIS PRODUCT INCLUDING THE WARRANTIES OF MERCHANTABILITY AND FITNESS FOR A PARTICULAR PURPOSE, ARE LIMITED IN DURATION TO A PERIOD OF ONE YEAR FROM THE DATE OF PURCHASE, AND NO WARRANTIES, WHETHER EXPRESS OR IMPLIED, WILL APPLY AFTER THIS PERIOD. SOME STATES DO NOT ALLOW LIMITATIONS ON HOW LONG AN IMPLIED WARRANTY LASTS, SO THE ABOVE LIMITATION MAY NOT APPLY TO YOU.

IF THIS PRODUCT IS NOT IN GOOD WORKING ORDER AS WARRANTED ABOVE, YOUR SOLE REMEDY SHALL BE REPLACEMENT OR REPAIR AS PROVIDED ABOVE. IN NO EVENT WILL ROSE ELECTRONICS BE LIABLE TO YOU FOR ANY DAMAGES INCLUDING ANY LOST PROFITS, LOST SAVINGS OR OTHER INCIDENTAL OR CONSEQUENTIAL DAMAGES ARISING OUT OF THE USE OF OR THE INABILITY TO USE SUCH PRODUCT, EVEN IF ROSE ELECTRONICS OR AN AUTHORIZED DEALER HAS BEEN ADVISED OF THE POSSIBILITY OF SUCH DAMAGES, OR FOR ANY CLAIM BY ANY OTHER PARTY.

SOME STATES DO NOT ALLOW THE EXCLUSION OR LIMITATION OF INCIDENTAL OR CONSEQUENTIAL DAMAGES FOR CONSUMER PRODUCTS, SO THE ABOVE MAY NOT APPLY TO YOU. THIS WARRANTY GIVES YOU SPECIFIC LEGAL RIGHTS AND YOU MAY ALSO HAVE OTHER RIGHTS WHICH MAY VARY FROM STATE TO STATE.

IBM, AT, and PS/2 are trademarks of International Business Machines Corp. Microsoft and Microsoft Windows are registered trademarks of Microsoft Corp. Any other trademarks mentioned in this manual are acknowledged to be the property of the trademark owner.

Copyright © Rose Electronics 2013. All rights reserved.

No part of this manual may be reproduced, stored in a retrieval system, or transcribed in any form or any means, electronic or mechanical, including photocopying and recording, without the prior written permission of Rose Electronics.

Rose Electronics Part # MAN-RV1-CAKVT17-FHD
Printed In the United States of America – Revision 1.0

Table of Contents

Safety Instructions	Page 5
Pre-Installation and Package Contents	Page 6
Rackview Layout Diagram and Dimensions	Page 7-8
Installation	Page 9-10
Connection to a Server/KVM Switch	Page 11
OSD (On-Screen Display Control Panel) Operation	Page 12
PIP and PBP	Page 13-14
Video Format	Page 15
Product Options	Page 15
Specifications	Page 16
Product Codes	Page 16
Technical Support	Page 17

Safety Instructions

Please read all of these instructions carefully before you use the device. Save this manual for future reference.

- Unplug equipment before cleaning. Don't use liquid or spray detergent; use a moist cloth.
- Keep equipment away from excessive humidity and heat. Preferably, keep it in an air-conditioned environment with temperatures not exceeding 40° Celsius (104° Fahrenheit).
- When installing, place the equipment on a sturdy, level surface to prevent it from accidentally falling and causing damage to other equipment or injury to persons nearby.
- When the equipment is in an open position, do not cover, block or in any way obstruct the gap between it and the power supply. Proper air convection is necessary to keep it from overheating.
- Arrange the equipment's power cord in such a way that others won't trip or fall over it.
- If you are using a power cord that didn't ship with the equipment, ensure that it is rated for the voltage and current labeled on the equipment's electrical ratings label. The voltage rating on the cord should be higher than the one listed on the equipment's ratings label.
- Observe all precautions and warnings attached to the equipment.
- If you don't intend on using the equipment for a long time, disconnect it from the power outlet to prevent it being damaged by transient overvoltage.
- Keep all liquids away from the equipment to minimize the risk of accidental spillage. Liquid spilled on to the power supply or on other hardware may cause damage, fire or electrical shock.
- Only qualified service personnel should open the chassis. Opening it yourself could damage the equipment and invalidate its warranty.
- If any part of the equipment becomes damaged or stops functioning, have it checked by qualified service personnel.

Regulatory Notices Federal Communications Commission (FCC)

This equipment has been tested and found to comply with the limits for a Class B digital device, pursuant to Part 15 of the FCC rules. These limits are designed to provide reasonable protection against harmful interference in a residential installation.

Any changes or modifications made to this equipment may void the user's authority to operate this equipment. This equipment generates, uses, and can radiate radio frequency energy and, if not installed and used in accordance with the instructions, may cause harmful interference to radio communications.

However, there is no guarantee that interference will not occur in a particular installation. If this equipment does cause harmful interference to radio or television reception, which can be determined by turning the equipment off and on, the user is encouraged to try to correct the interference by one or more of the following measures:

- Re-position or relocate the receiving antenna.
- Increase the separation between the equipment and receiver.
- Connect the equipment into an outlet on a circuit different from that to which the receiver is connected.

Pre-Installation and Package Contents

Before Installation:

It is very important to mount the equipment in a suitable cabinet or on a stable surface. Make sure the mounting location has good ventilation, is out of direct sunlight, and away from sources of excessive dust, dirt, heat, water, moisture and vibration.

Unpacking:

The equipment comes with the standard parts shown in package content. Check and make sure they are included and in good condition. If anything is missing, or damaged, contact your supplier immediately.

Package Contents:

1x Rackview Unit
1x Mounting Bracket set
1x Combo Cable for Video/Keyboard/Mouse (DVI/ USB or VGA/USB)
1x Power Cord
1x User Manual
1x set of screws and washers for assembly

Product Operation:

a) Power On Procedure

- Power on the Rackview (see power switch on back panel)
- Power on the KVM Switch or other connected product
- Power on the CPU

b) Video Input Select Button (see OSD Section, Page 12)

The Rackview remembers the last valid video input selection, so if the CPU input has changed, the user needs to re-select the video input.

- Locate the "Video Input Select" button on the OSD display control panel
- Push the Video Input Select button to toggle between VGA and DVI Input
- Select the appropriate Video Input format (VGA or DVI)

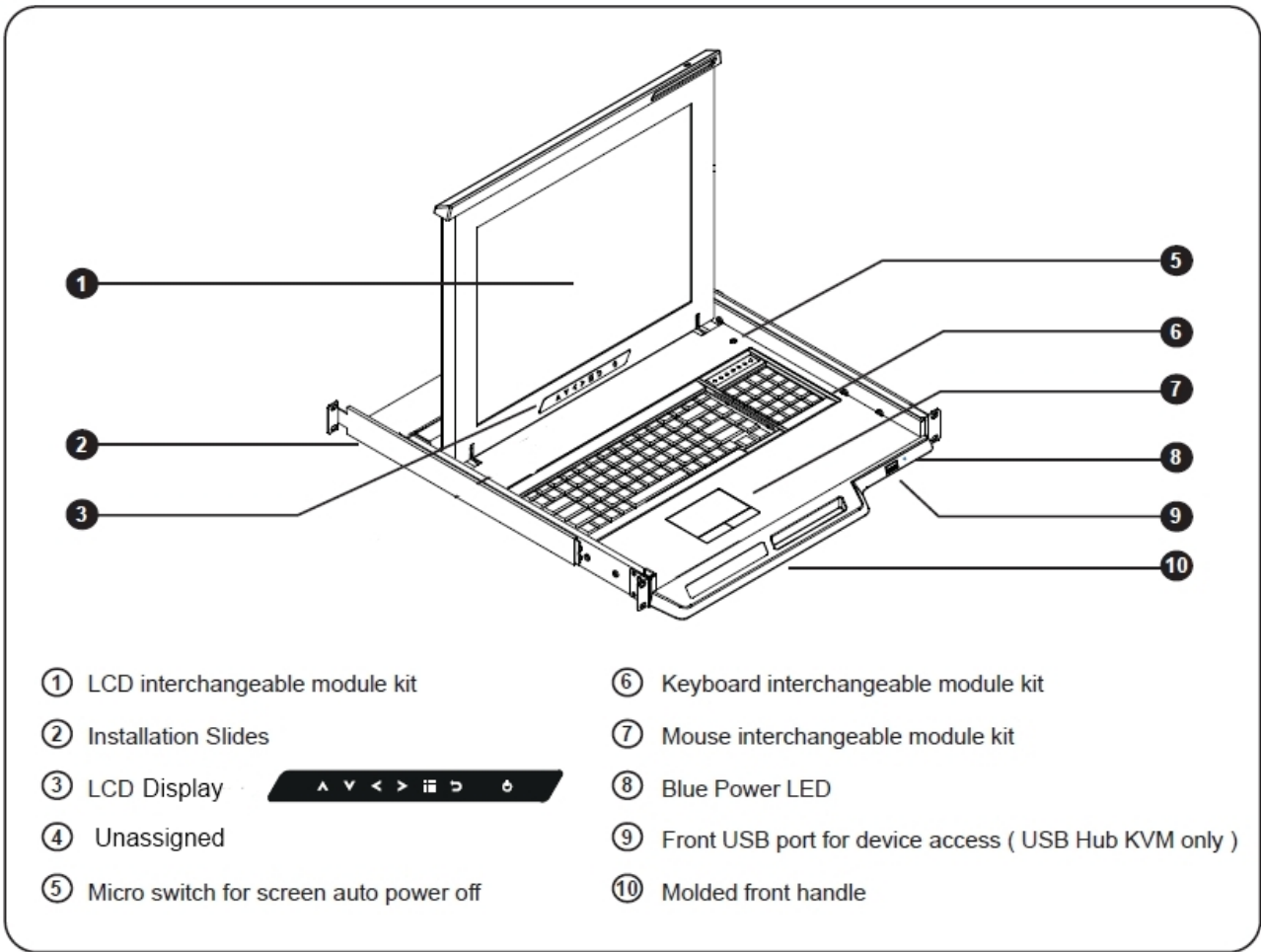


c) Cleaning Your Monitor

To clean your LCD safely, please follow these steps:

- Disconnect the power cord.
- Gently wipe the surface using a clean, dry microfiber cloth. Use as little pressure as possible.

Rackview Layout Diagram & Dimensions



Model	Product Dimension (W x D x H) approx	Packing Dimension (W x D x H) approx	Net Weight	Gross Weight
RV1-CAKVT17/FHD	441.6 x 480 x 44 mm 17.4 x 18.9 x 1.73 inch	590 x 823 x 140 mm 23.2 x 32.4 x 5.5 inch	15 kg 33 lb	19 kg 42 lb

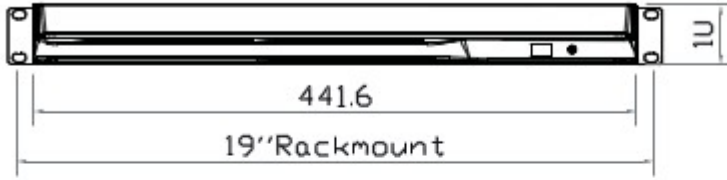
The package weight can vary with accessories included

Rackview Dimensions

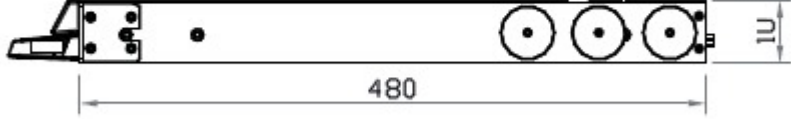
Unit: mm

1mm = 0.03937 inch

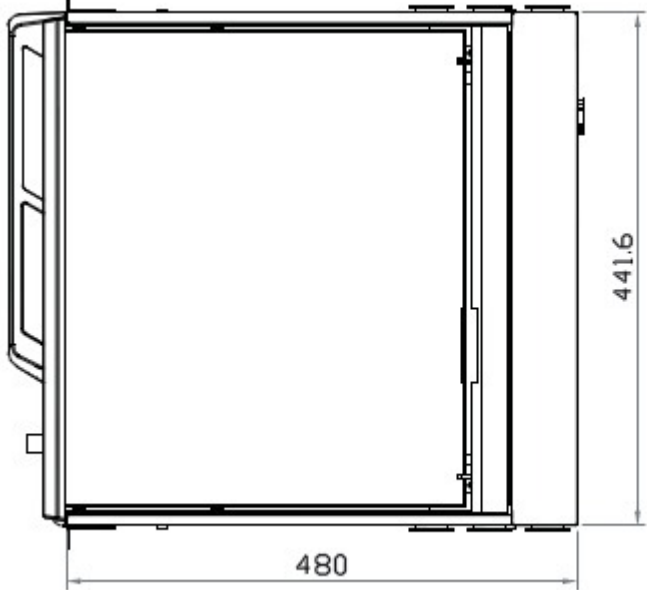
Front View



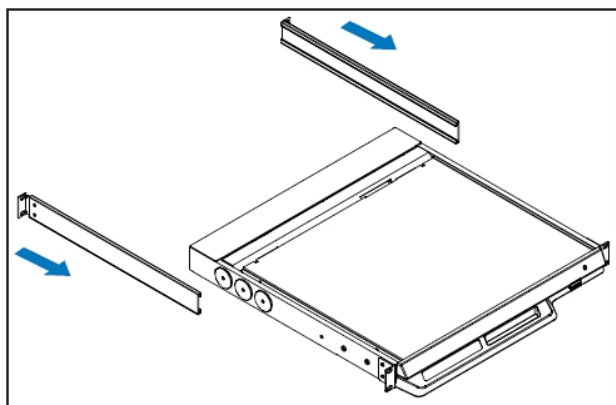
Side View



Top View

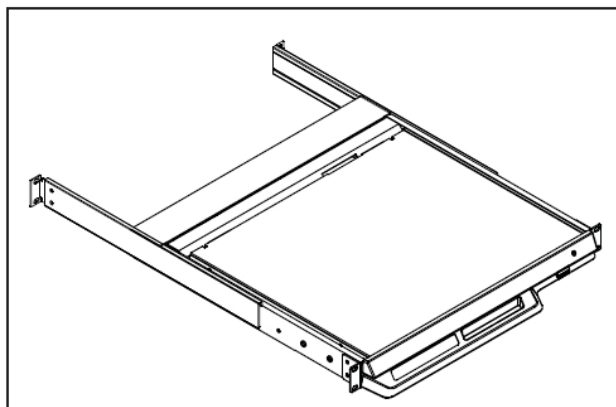


Installation of Rackview 17" High Resolution



STEP 1

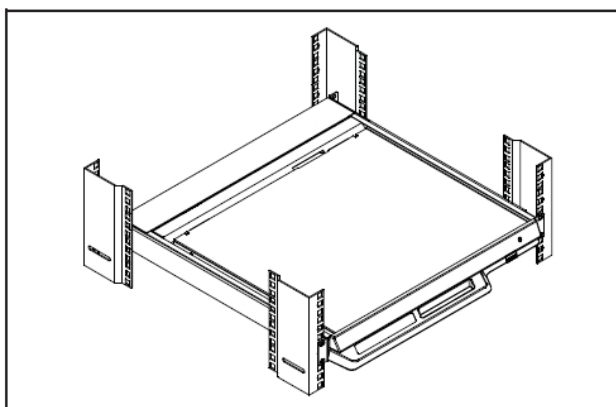
Insert the Left and Right rear-mounting slides into the Rackview Console Drawer



STEP 2

Measure the depth of the front and rear rack rails

Align each rear-mounting slide to a suitable length (depth)



STEP 3

Complete the Installation

Fix the Rackview Console Drawer into the Rack

Screws, cage nuts and cup washers are provided

Installation – How to Unlock and Operate the Rackview 17” High Res



STEP 1

Hold the handle and slide out the Rackview drawer



STEP 2

Flip up the LCD to a suitable viewing angle

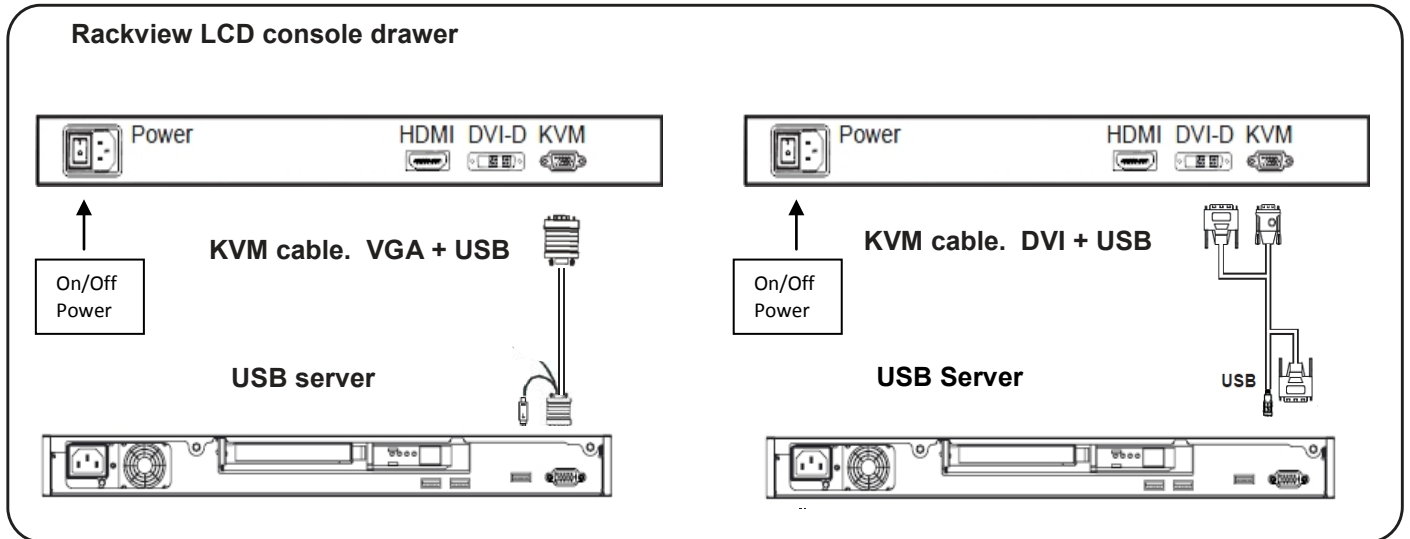


STEP 3

Operate the Rackview Console Drawer

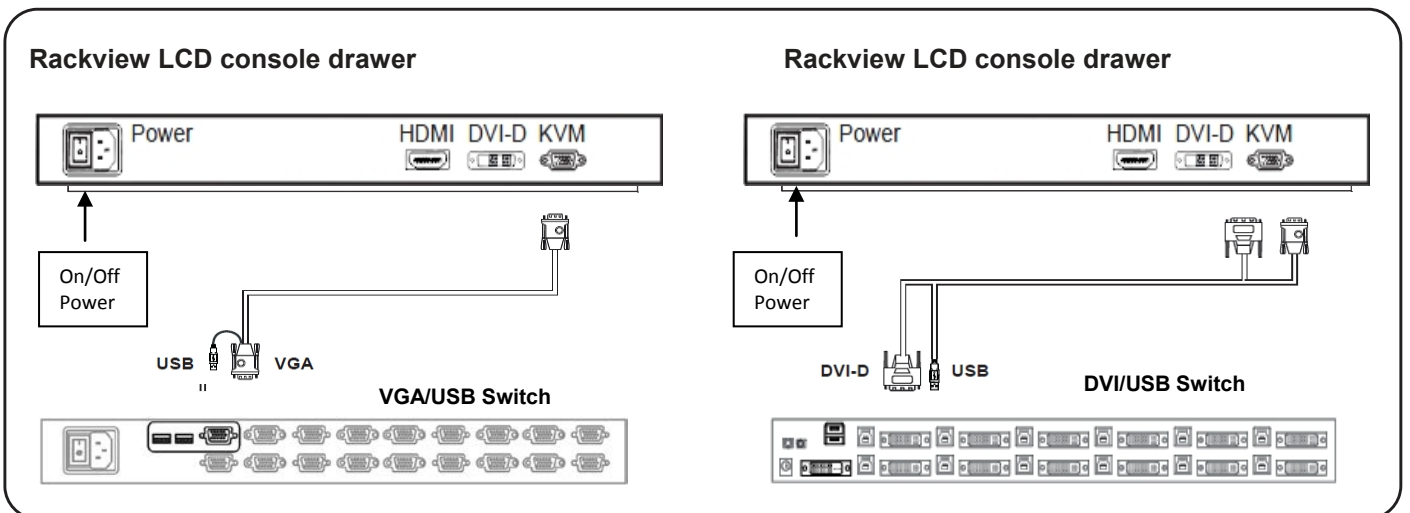
Connection to a USB Server

(sample connections)



Connection to an external KVM switch

(sample connections)



Note: Please request the cable required at time of order.

CAB-CMBVMUAC005 is for VGA to VGA + USB



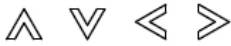

CAB-CMBDVUAC005 is for DVI + VGA to DVI +USB


HDMI: The HDMI cable is optional (not included)


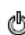
Caution : The Rackview LCD console drawer is hot-pluggable, but components of connected devices, such as the servers and KVM switch, may not be hot-pluggable. Plugging and unplugging cables while servers and KVM switch are powered-on may cause irreversible damage to the servers, KVM and LCD console drawer. Before attempting to connect anything to the Rackview LCD console drawer, we suggest turning off the power to all devices. Apply power to connected devices only after the Rackview LCD console drawer has been powered-on. Rose Electronics is not responsible for any product damage or warranty claims caused in this way.

On-Screen Display Operation (OSD)

▲ ▼ ◀ ▶ ☰ ↶ 🔌

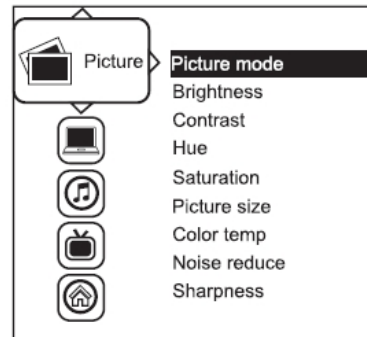
Membrane Switch	Function
	Turn the monitor on or off
	Display the OSD menu Act as an Enter key to select screen setting options
	Scroll through menu options and adjust the displayed control
	Exit the OSD screen and Input Select Button Go back to the previous on-screen sub-menu or main menu

Remark : All LED touch buttons in **WHITE** light.
The LED of Power  touch button will flash continuously when there is no signal input.

- ① All the LED touch buttons will automatically turn off after 10 minutes of idle status (except the Power ).
- ② Light up all membrane buttons, please press any button for 1 - 2 seconds (except the Power ).

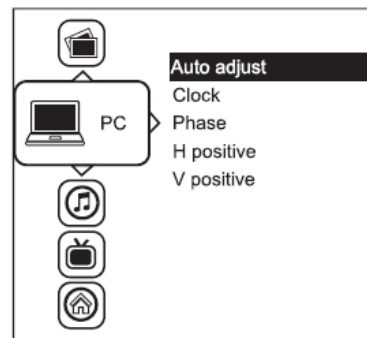
① Picture

- Picture mode : Standard / Vivid / Soft / User mode to choose
- Brightness : Adjust background black level of the screen image
- Contrast : Adjust the difference between the image background (black level) and the foreground (white level)
- Hue: Adjust the screen hue value
- Saturation : Adjust the saturation of the image color
- Picture size : Adjust the image size
- Color temp : Standard / Cool / Warm / User to choose
- Noise reduce : Reduce the noise of the image
- Sharpness : Adjust the image from weak to sharp



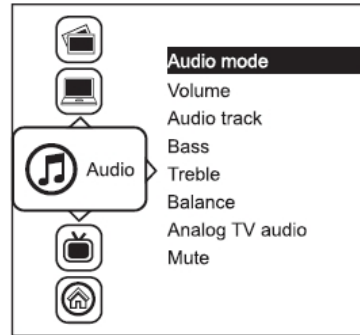
② PC

- Auto adjust : Automatically adjust sizes, centers and fine tunes the video signal to eliminate waviness and distortion.
- Clock : Adjust the clock value
- Phase : Adjust the phase value
- H. Position : Align the screen image left or right
- V. Position : Align the screen image up or down



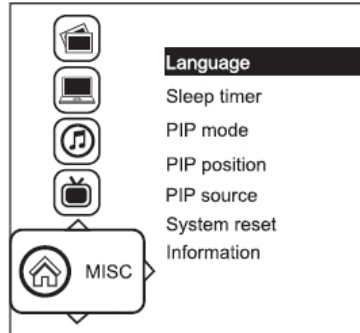
③ **Audio**

- Audio mode : Movie / Voice / Normal / Music mode to choose
- Volume : Adjust the volume of sound
- Bass : Set the value of bass sound
- Treble : Set the value of treble sound
- Balance : Set the balance value of treble and bass sound
- Analog TV audio : Set the value of analog TV audio sound
- Mute : Turn off the surrounding sound



④ **MISC**

- Language : Select the language in which the OSD menu is displayed - English
- Sleep timer : Set the off time
- PIP mode : Adjust picture in picture setting
- PIP position : Enter into PIP position
- PIP source : Enter into the Sub source and sound source
- System reset : Return the adjustment back to factory setting
- Information : Select for Help



Picture In Picture and Picture By Picture Modes (PIP and PBP)

1. Picture-In-Picture (PIP)

Mode

Display the Sub screen in the Main screen.

OSD Menu → MISC → PIP Mode → Large / Small / OFF



Position

Adjust the position of the Sub screen (top left, bottom left, top right, bottom right)

OSD Menu → MISC → PIP Position → top left / top right / bottom left / bottom right



top left



top right



bottom left



bottom right

2. Screen Size

Size

Adjust the size of the Sub screen (Large / Small)

OSD Menu → MISC → PIP Mode → Large / Small

Size of Sub screen

LCD Monitor	Large Sub screen	Small Sub screen
1920 x 1200	552 x 414	480 x 360
1920 x 1080	552 x 414	480 x 360
1440 x 900	414 x 310	360 x 270
1366 x 768	392 x 294	340 x 254
1280 x 1024	368 x 276	320 x 240

3. Picture-By-Picture (PBP)

Mode

Display the Sub screen next to the Main screen.

OSD Menu → MISC → PIP Mode → PBP



Size

LCD Monitor	Main / Sub screen
1920 x 1200	955 x 716
1920 x 1080	955 x 716
1440 x 900	715 x 536
1366 x 768	678 x 508
1280 x 1024	635 x 476

4. PIP / PBP Source

To select an input signal for PIP / PBP Sub screen.

OSD Menu → MISC → PIP Source → VGA / S-Video / Composite / DVI / HDMI / SDI / YPbPr / TV

The PIP / PBP is operable in the following table :

Main \ Sub	VGA	S-Video	Composite	DVI-D	HDMI	SDI	YPbPr	TV
VGA	X	o	o	o	o	o	o	o
S-Video	o	X	X	o	o	o	o	X
Composite	o	X	X	o	o	o	o	X
DVI	o	o	o	X	X	o	o	o
HDMI	o	o	o	X	X	o	o	o
SDI	o	o	o	o	o	X	X	o
YPbPr	o	o	o	o	o	X	X	o
TV	o	X	X	o	o	o	o	X

Video Format

DVI-D / VGA Input	PC Signal	Resolution/Refresh Rate
		1920 x 1200 x 60Hz
		1360 x 768 x 60Hz
		1280 x 1024 x 60Hz / 75Hz
		1280 x 960 x 60Hz
		1280 x 768 x 60Hz / 75Hz
		1152 x 864 x 75Hz
		1024 x 768 x 60Hz / 70Hz / 75Hz
		848 x 480 x 60Hz
		800 x 600 x 60Hz / 72Hz / 75Hz
		720 x 400 x 70Hz
		640 x 480 x 60Hz / 72Hz / 75Hz
		640 x 400 x 70Hz
		640 x 350 x 70Hz
HDMI Input	PC Signal	Same as VGA
	Video Signal	1080p : 60Hz
		720p : 50 Hz / 60Hz
		480p : 60 Hz
		576p : 50 Hz
	Audio Signal	2 ch Linear PCM (32 / 44.1/48 Khz)

Product Options:

- a) **HDMI Cable.** Add /HDMI to the product part number.
- b) **Audio.** Add /A2 to the product part number.
- c) **12/24/48VDC.** Add /DCnn to the product part number.

Note 1: The /DC option includes additional power cord and power adapter.

Note 2: The /Audio and /DC options extend the Rackview chassis depth from 480mm (18.9") to 530mm (20.9").

Please check with Rose Electronics for pricing and availability of these options.

Rackview 17" High Resolution - LCD / Keyboard / Mouse Specification

Item	Description
Display Size	17.1" Widescreen TFT color LCD
Max. Resolution	1920 x 1200
Brightness (cd/m ²)	210
Color Support	16.7 M, 8-bit
Contrast Ratio (typ.)	600:1
Viewing Angle (L/R/U/D)	65/65/55/55
Dot Pitch (mm)	0.191
Display Area (mm)	367.20 (H) x 229.50 V
Response Time (ms)	30
LCD Panel MTBF (hrs)	20,000
VGA Signal Input	Analog, 0.7Vp-p
DVI Signal	DVI-D, TMDS Single-Link
HDMI Signal	HDMI 1.1, CEA-861-D
Sync. Type (VGA)	Separate H/V, Composite, SOG
Plug & Play DDC (DVI & VGA)	VESA EDID 1.3
Console Port	HD-15 connector for VGA / keyboard / mouse (Combo interface) USB 5ft Cable: (1*HD15M to HD15M + USB) DVI: (DVI-D) and HDMI
Audio Option	3.5mm with L/R Speakers. Impedance 30K Ω / 750mV. Speaker Power – 2*2W
Power Input	Auto-sensing 100 to 240VAC, 50 / 60Hz
Power Consumption	Screen ON = 34W or less, Power Saving Mode = 4W or less
Compatibility	Multi-platform - Mix PCs, SUNs, IBMs, HPs & DELLs.
Regulation Approval	FCC, CE

Environmental

Operation	0° to 50°C Degree
Storage	-5° to 60 °C Degree
Relative Humidity	Operating: 20~90%, non-condensing
Shock	10G acceleration (11ms duration)
Vibration	5~500Hz 1G RMS random vibration

Product Codes:

RV1-CAKVT17/FHD

Rackview 17" High Resolution

KVM Rack Drawer

Interface Cables: (only 1 cable is included. Select with order)

/K1: CAB-CMBVMUAC005 HD15 to HD15 + (1) USB-A. (VGA +USB)

/K3: CAB-CMBDVUAC005 DVI-D + VGA(M) to DVI-I + (1) USB-A (DVI + USB)

Optional Items: (check with Rose Electronics for pricing and availability)

HDMI Cable

Audio Option

DC Voltage Option (12/24/48VDC)

Technical Support

If you are experiencing problems, or need assistance in setting up, configuring or operating your product, consult the appropriate sections of this manual. If, however, you require additional information or assistance, please contact the Rose Electronics Technical Support Department at:

Phone: (281) 933-7673

E-Mail: techsupport@rose.com

Web: www.rose.com

Technical Support hours are from: 8:00 am to 6:00 pm CST (USA), Monday through Friday.

Please report any malfunctions in the operation of this Unit or any discrepancies in this manual to the Rose Electronics Technical Support Department.



WWW.ROSE.COM sales@rose.com (800) 333 9343

Rose USA (281) 933 7673 Rose Europe +49 (0) 2454 969442 Rose Asia +65 6324 2322 Rose Australia +61 (0) 421 247083

Rose Electronics 10707 Stancliff Road Houston, Texas 77099



© Copyright 2013 Rose Electronics. All rights reserved. Specifications subject to change without notice